

## DS-2280ZJ-WA140

Junction box



### Key Feature

- Junction box

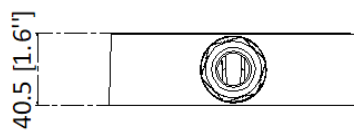
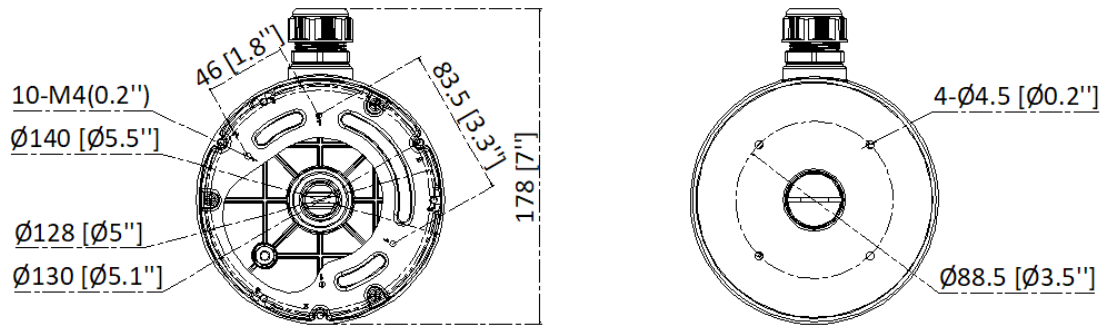
### Specification

<b>Model</b>	<b>DS-2280ZJ-WA140</b>
Color	White
Weight	Approx. 359.4 g (0.79 lb.)
Material	Aluminum + stainless steel + silicone + EVA
Dimension	Ø140 mm × 40.5mm ( Ø5.5" × 1.6 ")

### Available Model

DS-2280ZJ-WA140

**Dimension**



Unit: mm(inch)

Camera Mounting Hole (mm)	Camera Mounting Hole (inch)
Double Gang(4*M4)	Double Gang(4*M0.2'')
φ130(3*M4)	φ5.1''(3*M0.2'')
φ128(3*M4)	φ5''(3*M0.2'')
Wall Mounting Hole (mm)	Wall Mounting Hole (inch)
φ88.5(4*φ4.5)	φ3.5''(4*φ0.2'')