

# Airthings for Business

A complete and flexible air quality monitoring solution for any building



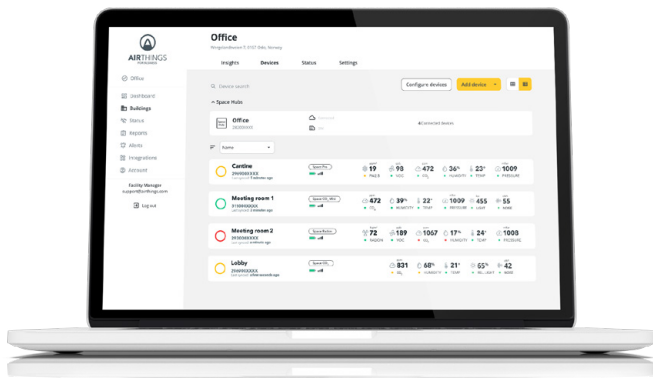
[airthings.com/business](https://airthings.com/business)

Airthings for Business allows businesses to monitor, measure and analyze their indoor air quality. Improving the health and wellbeing of a building directly impacts productivity and energy efficiency, be it an office building, residential block, medical facility or educational institution.

## DASHBOARD AND API

The Space Hub connects your Airthings devices online. Access real-time data from all your devices from the Airthings Dashboard, or through the API or a Webhook. The Airthings Dashboard includes alerts, advanced analytics and reporting. In addition, easily view, compare and export data and receive tips to reduce indoor air hazards, optimize ventilation and save on energy costs.

Each Airthings for Business Subscription includes unlimited cloud storage of sensor data.



# Space Hub

formerly Hub for Business



The Space Hub is an integral part of the Airthings ecosystem which collects data from in-range sensors and provides real-time access to all the information you need to optimize air quality in your building.

## AIRTHINGS SMARTLINK

SmartLink is the Airthings proprietary long range and low power IoT protocol between Hub and Airthings devices. SmartLink connectivity can typically penetrate 3 thick walls/floors or 10 drywalls (non-loadbearing walls). Airthings devices will always connect to the closest Hub and additional Hubs can be installed to increase coverage. The mounting bracket allows for placing the Airthings for Business Solution products on a flat surface or fixing it with double-sided tape or screws to the wall.

### PACKAGE CONTENT

- Airthings Space Hub
- Ethernet cable
- Mounting bracket
- Rubber bumper pads (for flat surface)
- Double-sided tape (for wall mount)
- Power supply adaptor
- US interchangeable supply blade
- EU interchangeable supply blade
- UK interchangeable supply blade
- AU interchangeable supply blade
- Optional Power over Ethernet-splitter for combined power supply and ethernet connection.

### PRODUCT CODES

- HUB CELLULAR, MODEL 2820
- EAN: 7090031108205
- SKU: 282
- Device serial number: 2820xxxxxx

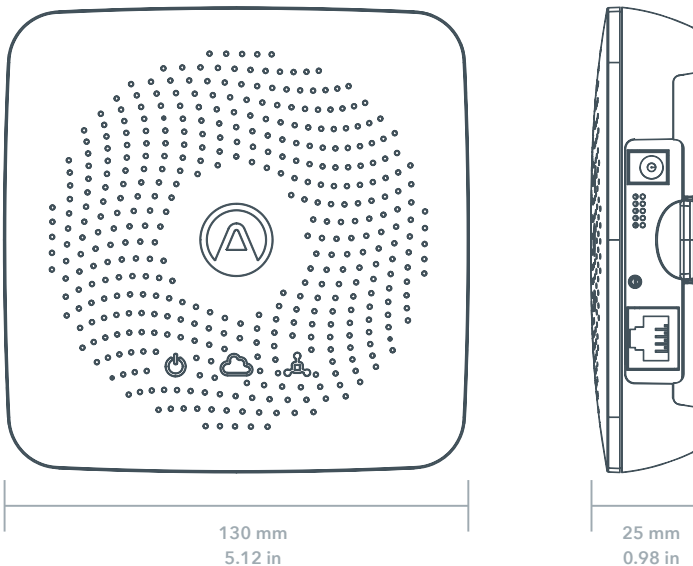
### PACKAGE

- Dimensions: 6.22 x 6.22 x 3.11 in (158 x 158 x 79 mm)
- HUB CELLULAR, MODEL 2820
- Weight: 20.2 oz (574 g)

### REQUIREMENTS

- Dimensions: 5.12 x 5.12 x 0.98 in (130 x 130 x 25 mm)
- HUB CELLULAR, MODEL 2820
- Weight: 9.1 oz (258 g)
- Cellular connection with built-in eSIM or Ethernet connection.

## PRODUCT DIMENSIONS



# Space Pro

formerly View Plus for Business



The most comprehensive indoor air quality monitor in the Airthings for Business solution, including PM, noise and more. The Space Pro has an ultra low battery consumption customizable display. Can be seamlessly added into an existing Airthings for Business solution.

## PACKAGE CONTENT

- Airthings Space Pro
- 6 x Lithium AA batteries
- Double-sided tape
- Security mount
- Optional USB cable 6 ft. (1.8 m) (5 pack)
- Optional bracket for fixed power supply
- Optional in-wall fixed power supply

## MOUNTING

Supports wall mounting or placement on table. Optimum product placement is breathing height of 3 - 6 ft (110 - 170 cm) above floor. Only suitable for mounting at heights below 6.56 ft (200 cm). Double-sided tape for wall mount included in package. Alternatively use 3 screws of type countersunk M4 (not included).

## PRODUCT FEATURES

- Sensors: PM<sub>1</sub>, PM<sub>2.5</sub>, VOC, CO<sub>2</sub>, Noise, Relative Humidity, Air Pressure, Temperature, Relative Light Intensity (0 - 100 %)
- Battery life: Up to 4 years on Lithium (depending on the sensor interval settings)

## REQUIREMENTS

- Weight: 12.7 oz (360 g) with batteries
- Dimensions: 6.69 x 3.54 x 1.30 in (170 x 90 x 33 mm)
- Airthings Space Hub needed to post sensor values to cloud

## PACKAGE

- Dimensions: 7.9 x 4.5 x 2.4 in (200 x 115 x 60 mm)
- Weight: 15.17 oz (430 g)

## PRODUCT CODES

- Device serial number: 2969xxxxxx
- US / CANADA EAN: 7090031109615
- SKU: 961 Model: 2969
- EUROPE EAN: 7090031109622 SKU: 962
- SINGAPORE / HONG KONG EAN: 7090031109639 SKU: 963
- AUSTRALIA EAN: 7090031109646
- SKU: 964
- INDIA EAN: 7090031109653 SKU: 965

## PRODUCT SPECIFICATIONS

- Operational Environment (Temperature, Relative Humidity): 39 °F to 104 °F (4 °C to 40 °C) / 10 - 80 % (non-condensing)
- Operation in temperatures < 32 °F (0 °C) or relative humidity > 90 % can cause permanent damage to the products
- Firmware updates are automatically downloaded and installed over the air (OTA) via the Airthings Space Hub
- SmartLink frequencies: 865-868/902-928 MHz depending on region



PM<sub>1</sub>



PM<sub>2.5</sub>



CO<sub>2</sub>



VOC



HUMIDITY



TEMP



PRESSURE



LIGHT



NOISE



VIRTUAL SENSORS



OCCUPANCY



VIRUS RISK

# Space Pro

## SENSOR SPECIFICATIONS

Sensor sampling interval: 5 min.  
Space Pro offers in addition configurable sensor sampling intervals from 2.5 min to 60 min for selected sensors.  
Technology for Temperature, Humidity and Pressure Sensors:

### RELATIVE HUMIDITY SENSOR

Technology: Solid state sensor  
Resolution: 0.5 %RH  
Accuracy:  $\pm 3$  %RH at 77 °F (25 °C) within 20-80 %RH

### TEMPERATURE SENSOR

Technology: Solid state sensor  
Resolution: 0.1 °F (0.1 °C)  
Accuracy:  $\pm 0.9$  °F at 77 °F /  $\pm 1.8$  °F from 32-140°F ( $\pm 0.5$  °C at 25 °C /  $\pm 1$  °C from 0-60 °C)

### PRESSURE SENSOR

Technology: Solid state sensor  
Pressure Accuracy:  $\pm 0.6$  mBar/hPA (0.02 inHg) range 500-1100 mBar/hPA

### VOC SENSOR

Technology: Metal-oxide based gas sensor  
Measurement range: 0-10 000 ppb  
Settling time: ~7 days  
Accuracy:  $20 \mu\text{g}/\text{m}^3 + 20\%$  of reading at values between 150 and 2000  $\mu\text{g}/\text{m}^3$

### PARTICULATE MATTER PM<sub>1</sub> AND PM<sub>2.5</sub>

Technology: laser scattering based optical particle counter  
Particle size detection range: 300 nm to 10  $\mu\text{m}$   
Measurement Range: 1-1000  $\mu\text{g}/\text{m}^3$   
Measurement Accuracy: below 150  $\mu\text{g}/\text{m}^3$ :  $\pm (5 \mu\text{g}/\text{m}^3 + 15 \%)$ , above 150  $\mu\text{g}/\text{m}^3$ :  $\pm (5 \mu\text{g}/\text{m}^3 + 20 \%)$ . Calibrated with a GRIMM reference instrument using cigarette smoke source.  
Resolution: 1  $\mu\text{g}/\text{m}^3$   
Classified as Class 1 Laser per IEC60825-1 Ed. 3. This device complies with 21 CFR 1040.10 and 1040.11, except for conformance with IEC 60825-1 Ed. 3., as described in Laser Notice No. 56, dated

May 8, 2019. Caution: This device contains one or more lasers. Use other than as described in the user guide, repair, or disassembly may cause damage, which could result in hazardous exposure to infrared.

### CO<sub>2</sub> SENSOR

NDIR Sensor (Non-Dispersive Infra-Red):  
Measurement range 400-5000 ppm.  
Settling time: ~7 days  
Accuracy  $\pm 50$  ppm  $\pm 5 \%$  at 400-2000 ppm within 50 - 95 °F (10 - 35 °C) and 0 - 80 %RH, after initial settling time of 7 days.  
Resolution: 1 ppm

### LIGHT SENSOR

Measurement range: 0 - 100 %

### NOISE SENSOR

Dynamic range: 35 - 120 dBA SPL (optimization pending)

### VIRUS RISK

Virtual sensor

## RADIO SPECIFICATIONS

### BLUETOOTH LOW ENERGY

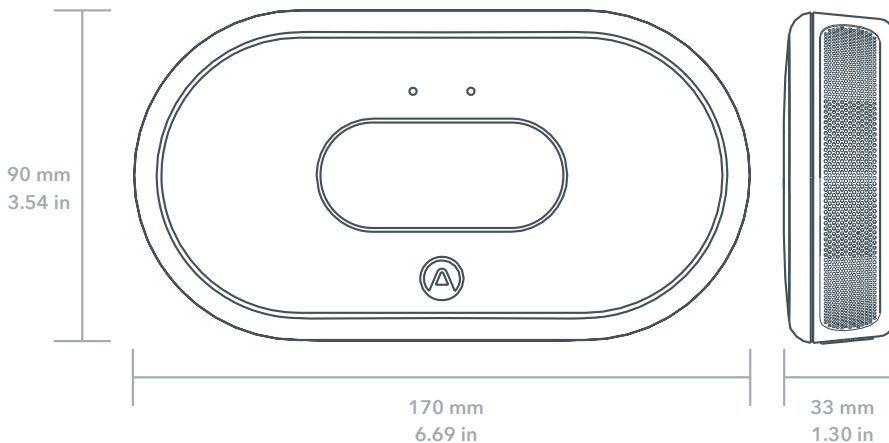
Output power: <5 mW  
Frequency Range (MHz): 2400.0 - 2483.5

### AIRTHINGS SMARTLINK

Output power: <25 mW  
Frequency range (MHz): Europe 868 - 870 North America 902-928

Singapore 920-923  
Hong Kong 920-923  
Australia 923-928  
India 865-870

## PRODUCT DIMENSIONS



# Space CO<sub>2</sub> Mini



Space CO<sub>2</sub> Mini is the discreet answer to increasing focus and regulations on CO<sub>2</sub> monitoring in schools, public buildings and offices. Offered in a 4-pack, Space CO<sub>2</sub> Mini helps cover more spaces in your building, ensuring optimal ventilation and energy usage. Wireless, with up to 10 years or more battery lifetime.

## PACKAGE CONTENT

Airthings Space CO<sub>2</sub> Mini  
2 x Lithium AA batteries  
Double-sided tape  
Battery lid with theft protection

## PACKAGE

4 devices included in package  
Dimension: 7.9 x 4.5 x 2.4 in  
(200 x 115 x 60 mm)  
Weight: 148 oz (419 g)

## PRODUCT CODES

EU, India and United Arabic Emirates (UAE)  
311xxxxxxx - serial number  
4-pack EU/UAE SKU 13110, EAN  
709003110 0117 UPC NA \*  
North America and ROW 312xxxxxxx -  
serial number  
4-pack North America SKU 13120, EAN  
709003110 0124 UPC 854232008552 \*

## MOUNTING

Optimum product placement is on wall  
4 - 6 ft (1.2 m - 1.8 m) above floor.

Double sided tape for mounting included.

Alternatively use two fully threaded  
countersunk screws 3.5 x 25 mm or longer  
(not included).

For masonry/concrete add expansion  
plug. For plaster walls, special plugs should  
be used.

If needed, the product can also be placed  
> 6 ft (1.8 m) above floor, but in this case  
mounting with screws is mandatory.

## REQUIREMENTS

Dimensions: 3.17 x 3.17 x 1.04 in  
(80.5 x 80.5 x 26.6 mm)

Weight: ~2.9 oz (~84 g) with batteries

Space Hub is needed to post sensor values  
to cloud.

\* Both SKU 13110 and 13120 will be replaced with new  
common SKUs that cover all countries / regions to be  
supported by the models 311 and 312 respectively

## PRODUCT FEATURES

Sensors: CO<sub>2</sub>, Temperature, Relative  
Humidity, Pressure, Noise, Light (lux)

Virtual sensors included: Virus Risk,  
Occupancy, please consult web dashboard  
for latest.

Battery life depends on sensor on/off/  
interval settings and building settings -  
office hours. More than 10 years with noise  
off or alternative office hours set (i.e 7AM-  
5PM Mon-Fri). Product has more than 5  
years battery life regardless of settings.

## PRODUCT SPECIFICATIONS

Operational Environment (Temperature, Relative Humidity):  
32°F to 113°F (0 °C to 45 °C) / 5% - 85% (non-condensing)

Firmware updates are automatically downloaded and installed over the air  
(OTA) via the Space Hub

SmartLink frequencies: 865-870 / 902-928 MHz depending on region



CO<sub>2</sub>



HUMIDITY



TEMP



PRESSURE



LIGHT



NOISE

VIRTUAL  
SENSORS



OCCUPANCY



VIRUS RISK

# Space CO<sub>2</sub> Mini

## SENSOR SPECIFICATIONS

Sensor sampling interval:  
5 min default and 2.5 min optional  
Office hours set on building level:  
Outside office hours +1 hour before  
and after, noise sensor is turned off and  
CO<sub>2</sub> interval is set to hourly. In addition,  
humidity, pressure and light are reduced  
to 5 min interval regardless of sensor  
sampling interval setting.

### TEMPERATURE AND RELATIVE HUMIDITY SENSORS

Temperature Accuracy:  $\pm 0.2^{\circ}\text{C} / \pm 0.4$   
Humidity Accuracy:  $\pm 2.0\%$  RH

### CO<sub>2</sub> SENSOR

NDIR Sensor (Non-Dispersive Infra-Red):  
Measurement range 400 - 5000 ppm

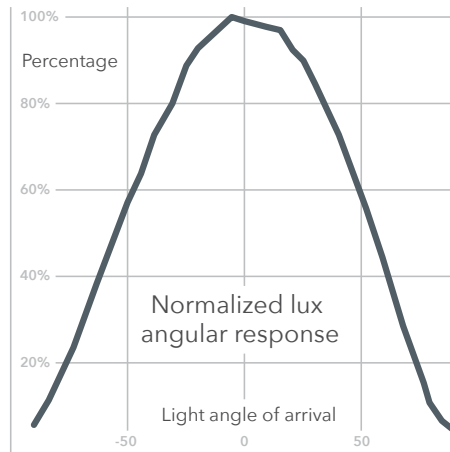
Accuracy:  $\pm 50$  ppm  $\pm 5\%$  within  
500 - 2000ppm, 10 - 35 °C / 50 - 95 °F  
and 0 - 80%RH.

Self-calibrated using an automatic baseline

algorithm that updates once a week.

### LIGHT SENSOR

Light sensor is measured in received  
luminous flux per unit area, also known as  
Lux. Light sensitivity varies with incoming  
light direction as shown in graph.



Absolute Accuracy in most sensitive  
direction :  $\pm 5$  lux  $\pm 10\%$

### PRESSURE SENSOR

Absolute pressure accuracy:  $\pm 30$  Pa  
Unit-to-unit pressure accuracy:  $\pm 10$  Pa

### NOISE SENSOR

Ambient sound is sampled at 1% duty  
cycle and presented as sound pressure  
level in dB (adjusted to human ear hearing  
profile - A-weighted, dBA).

Typical sensitivity: 33dBA SPL

Dynamic range: 33dBA - 120dBA SPL

Absolute Accuracy over dynamic range:  
 $\pm 3$  dB

### VIRTUAL SENSORS

Virus Risk, Occupancy. Please consult web  
dashboard for latest

## PRODUCT ON-BOARDING AND DAILY USE

Battery tab pull: LED blinks green when  
device is powered on.

On boarding: LED pulses blue while  
device connects to Space Hub and pulses  
white until device is connected all the way  
to Airthings cloud.

In case SmartLink connection is lost, within

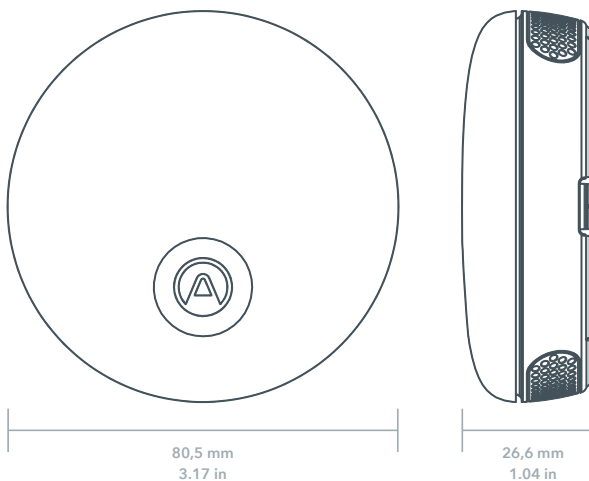
10 min LED will blink green one time  
followed by blue LED pulse for up to 1 min  
or until connected to Space Hub. In case  
no connection is established, the blink  
pattern will repeat at increasing intervals,  
to not deplete batteries.

Touching Airthings logo on product front  
with finger: single white blink if connected

via Space Hub to cloud, single blue blink if  
not connected. If CO<sub>2</sub> Alert is enabled, LED  
shows CO<sub>2</sub> level color coded green, yellow  
or red.

CO<sub>2</sub> Alert: event is shown as two blinks in  
yellow or red depending on limits set. Alert  
frequency and snooze time can also be set  
in dashboard.

## PRODUCT DIMENSIONS



# Space CO<sub>2</sub>

formerly View CO<sub>2</sub> for Business



CO<sub>2</sub> monitoring made easy for any building, anywhere. The Space CO<sub>2</sub> has an ultra energy efficient customizable display. Can be seamlessly added into an existing Airthings for Business solution.



## PACKAGE CONTENT

- Airthings Space CO<sub>2</sub>
- 6 x Lithium AA batteries
- Double-sided tape
- Optional theft protection lid (5 pack)
- Optional USB cable 6 ft. (1.8 m) (5 pack)

## REQUIREMENTS

- Weight: 12.7 oz (360 g) with batteries
- Dimensions: 6.69 x 3.54 x 1.30 in (170 x 90 x 33 mm)
- Airthings Space Hub needed to post sensor values to cloud

## PRODUCT CODES

- Device serial number: 2969xxxxx
- US / CANADA EAN: 7090031109615
- SKU: 961 Model: 2969
- EUROPE EAN: 7090031109622 SKU: 962
- SINGAPORE / HONG KONG EAN: 7090031109639 SKU: 963
- AUSTRALIA EAN: 7090031109646 SKU: 964
- INDIA EAN: 7090031109653 SKU: 965

## MOUNTING

Supports wall mounting or placement on table. Optimum product placement is breathing height of 3 - 6 ft (110 - 170 cm) above floor. Only suitable for mounting at heights below 6.56 ft (200 cm). Double-sided tape for wall mount included in package. Alternatively use 3 screws of type countersunk M4 (not included).

## PACKAGE

- Dimensions: 7.9 x 4.5 x 2.4 in (200 x 115 x 60 mm)
- Weight: 15.17 oz (430 g)

## PRODUCT FEATURES

- Sensors: CO<sub>2</sub>, Noise, Relative Humidity, Temperature, Relative Light Intensity (0 - 100 %)
- Virtual sensors included:
  - Virus Risk Indicator
- Battery life: Up to 10 years on Lithium (depending on the sensor interval settings)

## PRODUCT SPECIFICATIONS

- Operational Environment (Temperature, Relative Humidity): 39 °F to 104 °F (4 °C to 40 °C) / 10 - 80 % (non-condensing)
- Operation in temperatures < 32 °F (0 °C) or relative humidity > 90 % can cause permanent damage to the products
- Firmware updates are automatically downloaded and installed over the air (OTA) via the Airthings Space Hub
- SmartLink frequencies: 865-868/902-928 MHz depending on region



CO<sub>2</sub>



HUMIDITY



TEMP



LIGHT



NOISE

VIRTUAL SENSORS



OCCUPANCY



VIRUS RISK

## Space CO<sub>2</sub>

### SENSOR SPECIFICATIONS

Sensor sampling interval: 5 min.  
Space CO<sub>2</sub> offers in addition configurable sensor sampling intervals from 2.5 min to 60 min for selected sensors.

Technology for Temperature and Humidity Sensors

#### TEMPERATURE AND RELATIVE HUMIDITY SENSORS

Temperature Accuracy: ±0.9 °F (±0.5 °C)  
Humidity Accuracy: ±3 %RH

#### CO<sub>2</sub> SENSOR

NDIR Sensor (Non-Dispersive Infra-Red):  
Measurement range 400-5000 ppm  
Settling time: ~7 days  
Accuracy ±50 ppm ±3 % within 50 - 95 °F (10 - 35 °C) and 0 - 80 %RH, after initial settling time of 7 days

#### LIGHT SENSOR

Measurement range: 0 - 100 %

#### NOISE SENSOR

Dynamic range: 35 - 120 dBA SPL (optimization pending)

#### VIRUS RISK

Virtual sensor

### RADIO SPECIFICATIONS

#### BLUETOOTH LOW ENERGY

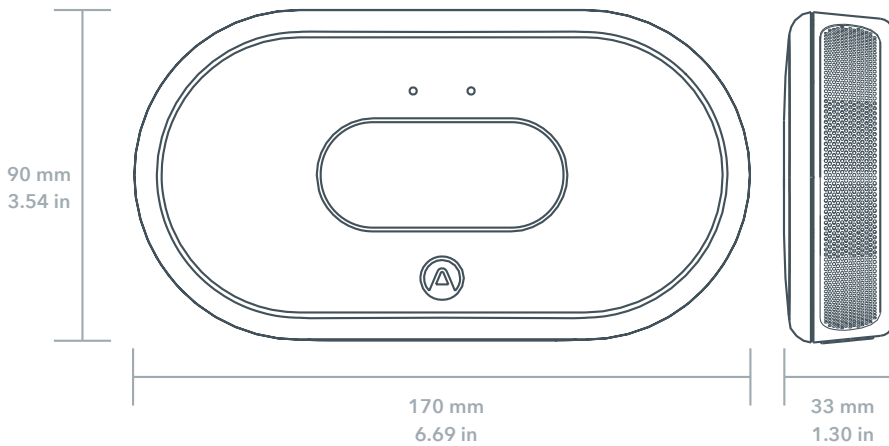
Output power: <5 mW  
Frequency Range (MHz): 2400.0 - 2483.5

#### AIRTHINGS SMARTLINK

Output power: <25 mW  
Frequency range (MHz): Europe 868 - 870  
North America 902-928

Singapore 920-923  
Hong Kong 920-923  
Australia 923-928  
India 865-870

### PRODUCT DIMENSIONS



# Space Radon

formerly **Wave Plus for Business**



Space Radon gives full visibility into radon, carbon dioxide (CO<sub>2</sub>), airborne chemicals and odors (VOCs), humidity, temperature, air pressure and light - seven key factors of IAQ. It's the ideal solution for employers, facility managers and schools.

## PACKAGE CONTENT

- Airthings Space Radon
- 2 Lithium AA batteries
- Double-sided tape
- Optional theft protection lid

## MOUNTING

Supports wall mounting or placement on table. Optimum product placement is breathing height of 3 - 6 ft (110 - 170 cm) above floor. Only suitable for mounting at heights below 6.56 ft (200 cm). Double-sided tape for wall mount included in package. Alternatively use 1 screw of type countersunk M4 (not included)

## PRODUCT FEATURES

Sensors: Radon, CO<sub>2</sub>, VOCs, Temp, Relative Humidity, Air Pressure, Relative Light intensity (0 - 100 %) Battery life: 1.5 years on Alkaline (2 years on Lithium)

## REQUIREMENTS

Weight : 7.72 oz (219 g) with 2 x AA Lithium batteries  
 Dimensions: 4.72 x 1.42 in (120 x 36 mm)  
 Airthings Space Hub needed to post sensor values to cloud  
 HUB, MODEL 2810

## PACKAGE

Dimensions: 6.02 x 6.02 x 1.81 in (153 x 153 x 46 mm)  
 Weight: 12.2 oz (346 g)

## PRODUCT SPECIFICATIONS

Operational Environment (Temperature, Relative Humidity):  
 Space Radon: 39 °F to 104 °F (4 °C to 40 °C) / 10 - 80 % (non-condensing)  
 Operation in temperatures < 32 °F (0 °C) or relative humidity > 90 % can cause permanent damage to the products  
 SmartLink frequencies: 865-868/902-928 MHz depending on region  
 Firmware updates are automatically downloaded and installed over the air (OTA) via the Airthings Space Hub.

## PRODUCT CODES

Device serial number: 2930xxxxxx  
 USA / CANADA EAN: 7090031109318  
 SKU: 931 Modell: 2930  
 EUROPE EAN: 7090031109325 SKU: 932  
 SINGAPORE / HONG KONG  
 EAN: 7090031109332 SKU: 933  
 AUSTRALIA EAN: 7090031109363  
 SKU: 936  
 INDIA EAN: 7090031109356 SKU: 935



VIRTUAL SENSORS



OCCUPANCY VIRUS RISK

# Space Radon

## SENSOR SPECIFICATIONS

Sensor sampling interval:  
5 min, except radon 60 min

### RADON SENSOR

Passive diffusion chamber  
Detection method: Alpha spectrometry  
Measurement range: 0 - 20,000 Bq/m<sup>3</sup>  
(0 - 5,405 pCi/L)  
Long term measurement accuracy at  
200 Bq/m<sup>3</sup> (5.4 pCi/L):  
After 7 days ± 10 %, after 2 months ± 5 %

### VOC SENSOR

Measurement range: 0-10 000 ppb  
Resolution: 1 ppb  
Settling time: ~7 days  
Accuracy: 20 µg/m<sup>3</sup> + 20% of reading at  
values between 150 and 2000 µg/m<sup>3</sup>

### CO<sub>2</sub> SENSOR

NDIR Sensor (Non-Dispersive Infra-Red):  
Measurement range 400-5000 ppm  
Resolution: 1 ppm  
Accuracy: ±30 ppm ±3 % within 59 to  
95 °F (15 - 35 °C) and 10 - 80 % RH can  
be reached after multiple settling cycles  
on locations with natural indoor CO<sub>2</sub>  
fluctuations  
Settling time: ~7 days

### RELATIVE HUMIDITY SENSOR

Technology: Solid state sensor  
Resolution: 0.5 %RH  
Accuracy: ±3 %RH at 77 °F (25 °C)  
within 20-80 %RH

### TEMPERATURE SENSOR

Technology: Solid state sensor  
Resolution: 0.1 °F (0.1 °C)  
Accuracy: ±0.9 °F at 77 °F / ±1.8 °F from 32-  
140°F (±0.5 °C at 25 °C / ±1 °C from 0-60 °C)

### PRESSURE SENSOR

Technology: Solid state sensor  
Resolution: 0.02 mBar/hPA  
Absolute accuracy: ± 0.6 mBar/hPA  
Relative accuracy: ± 0.12 mBar/hPA  
Measurement range: 500-1100 mBar/hPA

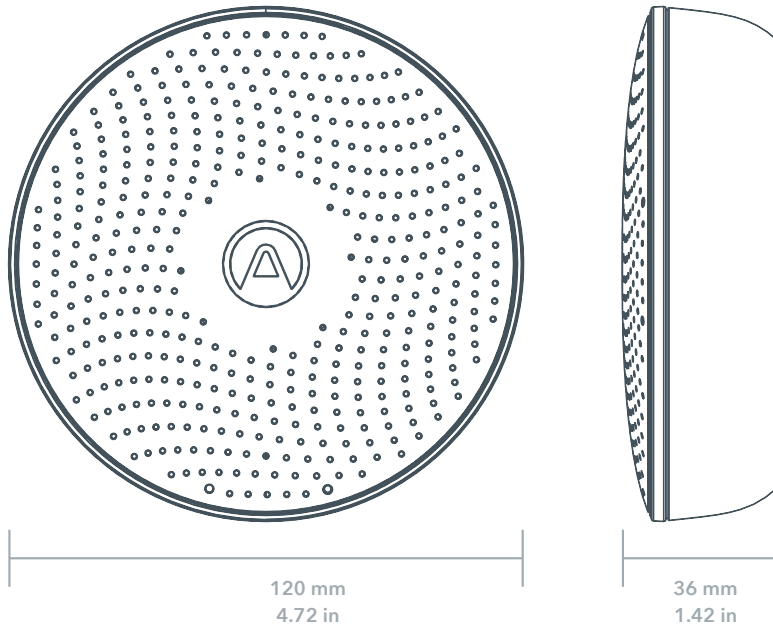
### LIGHT SENSOR

Measurement range: 0 - 100 %

### VIRUS RISK

Virtual sensor

## PRODUCT DIMENSIONS



CO<sub>2</sub>



VOC



HUMIDITY



TEMP



RADON



PRESSURE



LIGHT

VIRTUAL  
SENSORS



OCCUPANCY



VIRUS RISK